



Ultrahigh-Speed Three-Side-Seal Pouch Forming, Filling and Packaging Machines

R-series **S-type** **G-type**

Servomotor-equipped machines

R-35S

R-36S

R-51S

R-52S



The photo shows the R-52S model.

NEW

Rotary machines

R-35G

R-36G

R-51G

R-52G



The photo shows the R-35G model.

The photo shows a system equipped with options.

R-series S-type
G-type

High-Speed Three-Side-Seal Pouch Forming, Filling and Packaging Machines

Simpler structure, more compact, more reasonably priced than ever

Features

The rotary system performs pouch forming, filling and sealing operations in a horizontal direction to achieve an ultra-fast packaging rate of 300 to 600 pouches per minute. Since a longer filling time can be provided, there is minimal biting of the filling product at the sealed areas. In addition, the sealing time can be extended and pinhole generation can be reduced.

Use of the optional stacker allows connection of a cartoner, flow wrapper, banding unit and pouch filler.

Various accessories and optional devices are available to meet specific packaging needs.

A wealth of new mechanisms

Equipped with Topack's proprietary servo system (patent pending) <S type>

The cutter-drive servomotor control minimizes the positional deviation of the cutter.

The top sealer drive servomotor control eliminates the need to change gears and numerical settings can be entered easily on the touch panel.

Easy-to-operate touch panel <S type>

The standard 5.7-inch color touch panel displays auto-stop record and production control data.

T-1 stacker (patent pending) <S type>

The servomotor-controlled elevation mechanism assures stable product stacking.

The number of stacking rows can be set easily on the touch panel.



New automatic film splicer

Two film rolls mounted on the right and left sides allow uniform film tension for added stability in automatic film splicing operation.

The low film loading position enables the use of film rolls measuring up to 400 mm in diameter.

Compact dimensions

The compact machine size requires about 20% less installation space than a conventional unit.

New rotary mechanism (patent pending)

The seal bar cam and chute up/down cam feature Topack's original cam profiles to allow precision processing.

Smooth rotation reduces operating noise and prolongs service life.

Rotary disc shutter ON/OFF control (patent pending)

Movable shutter operating pins, operated by an air cylinder, are used in place of conventional fixed pins. All shutters remain closed whenever the rotary disc is not rotating.

① When the rotary disc is turned on, the shutters open after synchronizing with the filling chute, then the filling operation starts.

② When the rotary disc is shut off, all the shutters close, then the rotary disc stops.

This minimizes splashing of the filling product.

Magnetic discharge clipper (patent pending)

Magnets are used in the clipper in place of springs. When the clipper is open, no load is applied, thus reducing the stress on the clipper opening mechanism and turn section. The new system offers improved durability and also eliminates spring replacement.

Digital print registration system (patented)

Equipped on R-36S, R-52S, R-36G and R-52G

Easy operation with the touch panel.

All control information is displayed on the touch panel for real-time confirmation of numeric data.

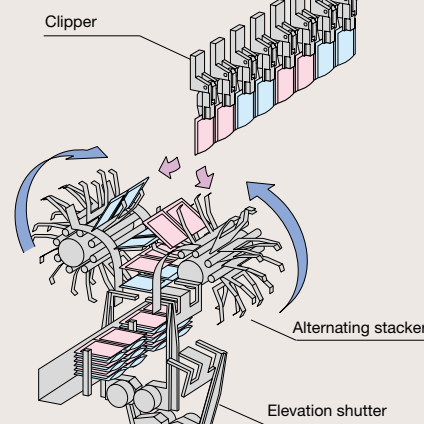
The photo mark position can be changed with input of numeric data, thus allowing flexible adjustment of the seal position.

When the pitch control fails, the required amount of seal bar inward/outward movement is numerically displayed.

Stores data for up to 8 products.

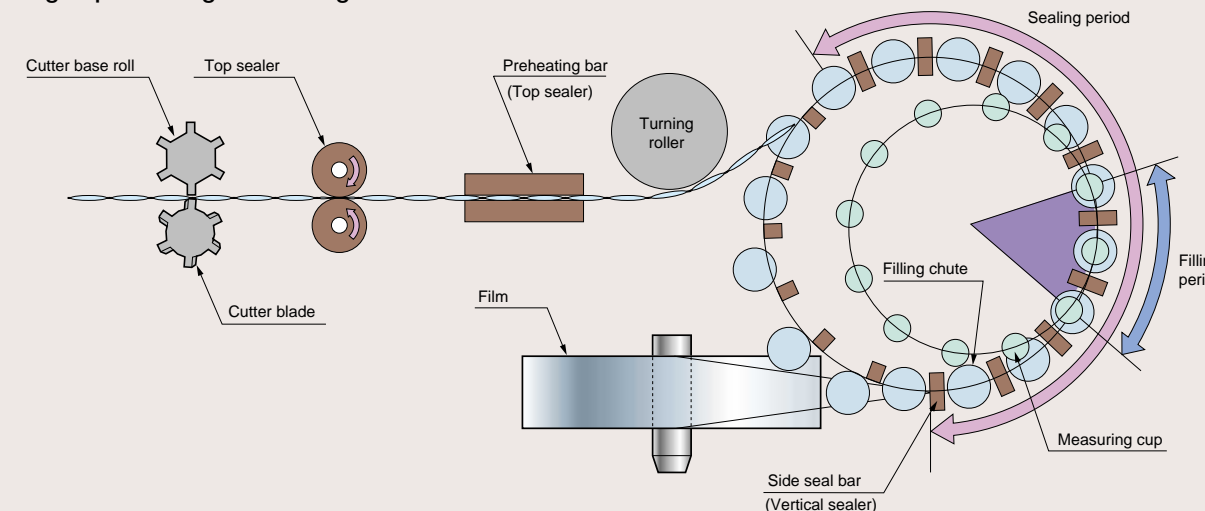


Stacking mechanism (patent pending)



S-type machines are equipped with the T-1 stacker, which uses servomotor control for the elevation mechanism.

High-speed filling and sealing mechanisms



Main specifications of R-series S-type machines

<Servomotor-equipped machines>

Model	Small pouch machine		Large pouch machine	
	R-35S	R-36S	R-51S	R-52S
Print registration control	None	Provided	None	Provided
Filling capacity	0.5cc ~ 20cc		0.5cc ~ 50cc	
Packaging speed ¹	300 to 400 pouches/min (film speed: 28 m/min)		200 to 600 pouches/min (film speed: 42 m/min)	
Pouch size	Width: 30 to 90 mm (specified) Length: 40 to 90 mm (specified)		Width: 30 to 110 mm (specified) Length: 40 to 125 mm (specified)	
Machine dimensions	Approx. 2,500 (W) x 750 (D) x 1,950 (H) mm		Approx. 2,750 (W) x 880 (D) x 1,980 (H) mm	
Machine weight	Approx. 1,800 kg		Approx. 2,500 kg	
Power consumption	Approx. 5 to 7 kw		Approx. 6 to 8 kw	
Compressed air consumption	Approx. 0.5 MPa · 100 liter/min (ANR)			

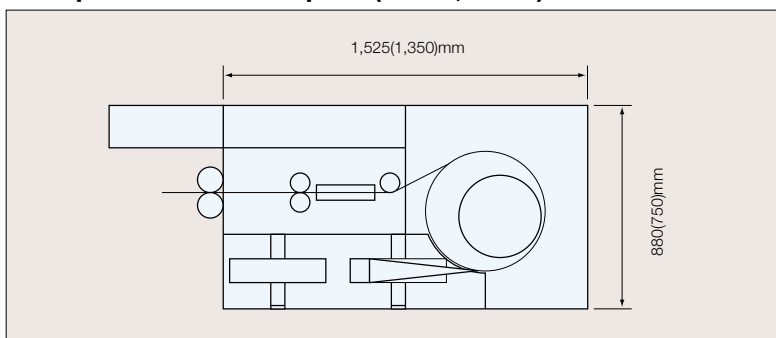
¹ Specifications vary depending on the filling product, packaging material and pouch size.
C-type machines are also available without the cutter and automatic film splicer
Machines with other specifications can also be manufactured.

Main specifications of R-series G-type machines

Model	Small pouch machine		Large pouch machine	
	R-35G	R-36G	R-51G	R-52G
Print registration control	None	Provided	None	Provided
Filling capacity	0.5cc ~ 20cc		0.5cc ~ 20cc	
Packaging speed ¹	300 to 400 pouches/min (film speed: 28 m/min)		200 to 600 pouches/min (film speed: 42 m/min)	
Pouch size	Width: 30 to 90 mm (specified) Length: 40 to 90 mm (specified)		Width: 30 to 110 mm (specified) Length: 40 to 125 mm (specified)	
Machine dimensions	Approx. 2,200 (W) x 710 (D) x 1,950 (H) mm		Approx. 2,500 (W) x 830 (D) x 1,980 (H) mm	
Machine weight	Approx. 1,500 kg		Approx. 2,000 kg	
Power consumption	Approx. 4 to 6 kw		Approx. 5 to 7 kw	
Compressed air consumption	Approx. 0.5 MPa · 100 liter/min (ANR)			

¹ Specifications vary depending on the filling product, packaging material and pouch size.
C-type machines are also available without the cutter and automatic film splicer.
Machines with other specifications can also be manufactured.

Required installation space (R-51S,R-52S)



Figures in parentheses () indicate installation space required by the R-35S, R-36S models.

Application examples

Powdered soup, seasonings, granulated sugar, coffee, powdered cream, tea bags, food supplements, powdered/granulated pharmaceuticals, desiccants, oxygen absorbers, food additives, bath agents.

Product samples



Line configuration

R series + continuous pouch loader
R series + continuous pouch winder
R series + stacker + pouch filler
R series + stacker + flow wrapping machine
R series + stacker + cartoner
R series + stacker + banding unit
Various other lines can also be configured.

Film material and dimensions

Heat-sealable laminated film
Film roll outer diameter: 380 mm or less,
diameter of core paper roll: 76 mm

Standard equipment

Print registration system (R-36S, R-52S, R-36G, R-52G)
Touch panel (S type)
Automatic film splicer
Film end detector
Joined tape detector
Empty pouch detector
Preheating bar open-status detector
Automatic preheating bar operating system
Heater disconnection detector
Overload detector
Safety cover with auto-stop
Hopper level sensor

Optional equipment

Dust collector
Counting and dividing unit
Tear cutting unit
Code printing unit
Four-side sealing unit
Adjustable volumetric controller
Belt conveyor

This catalog lists standard specifications. Due to improvements in the equipment, specifications are subject to change without notice.



TOPACK CO.,LTD.

15-10, Kamihigashi 6-chome Hirano-ku, Osaka 547-0002, Japan
Phone: 81-6-6792-3776 Fax: 81-6-6794-3074
URL : <http://www.topack.co.jp/>